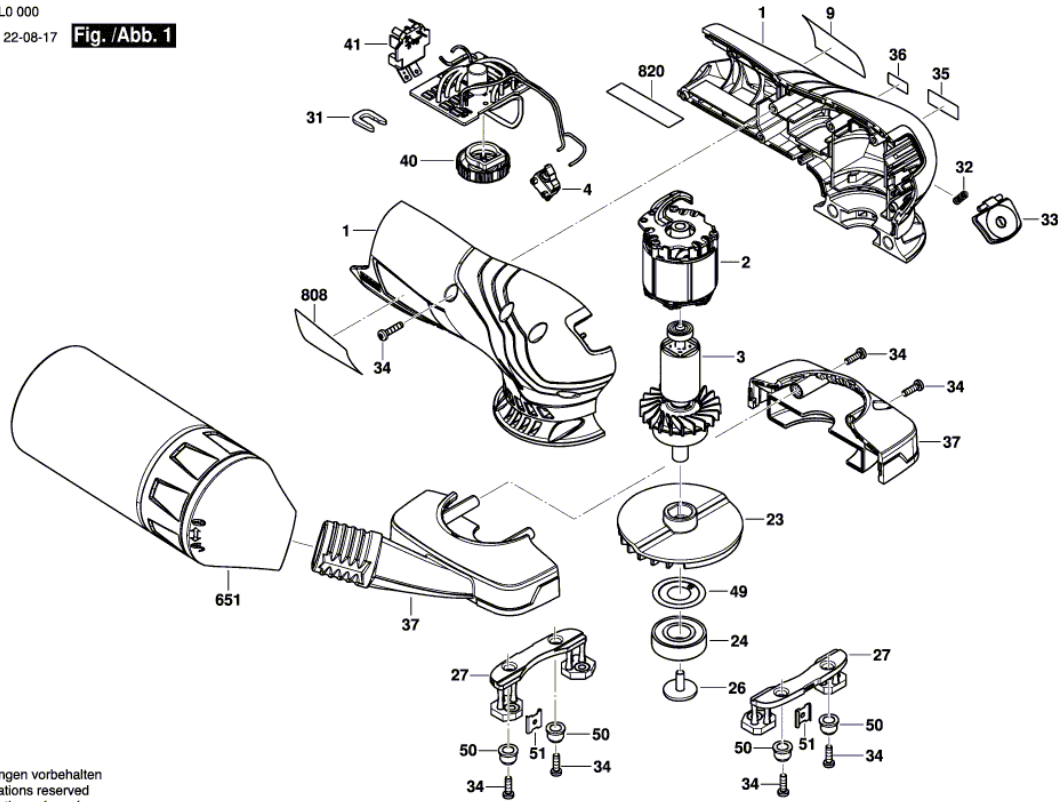


Illustration - Type - E

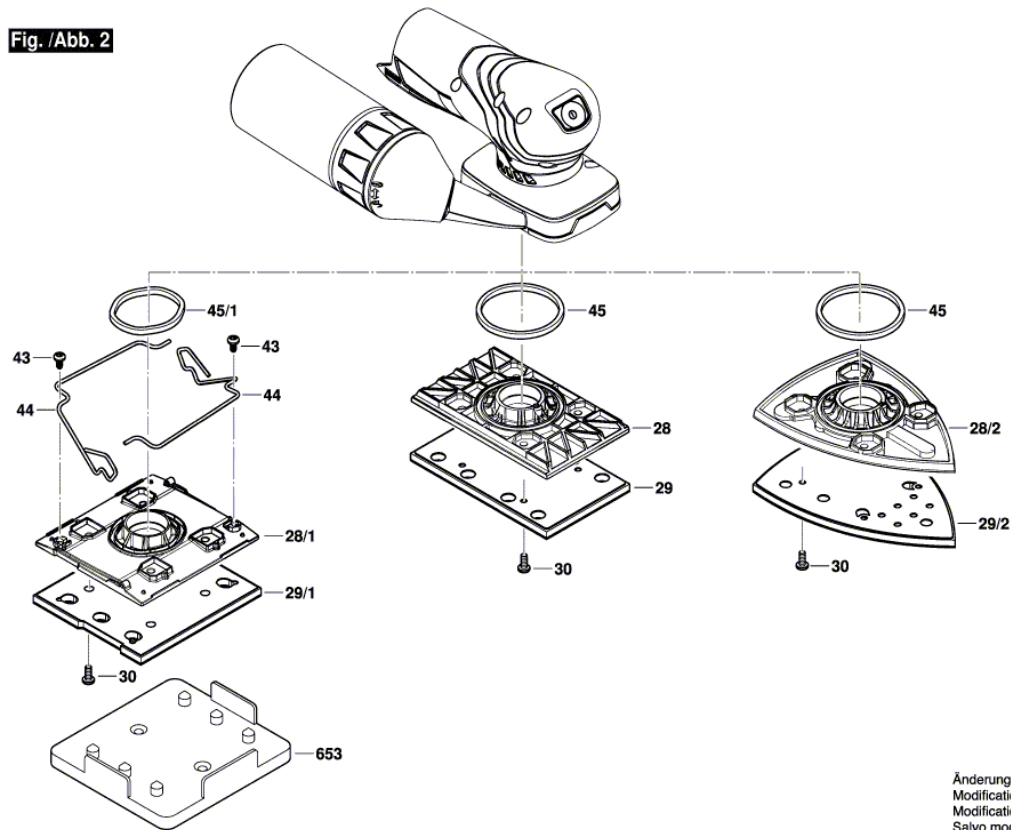
3 601 JLO 000
 Stand } 22-08-17
 Issue } **Fig. /Abb. 1**



Änderungen vorbehalten
 Modifications reserved
 Modifications réservées
 Salvo modificaciones

Illustration - Type - E

3 601 JLO 000
Stand } 22-07-27
Issue } **Fig. /Abb. 2**



Änderungen vorbehalten
Modifications reserved
Modifications réservées
Salvo modificaciones

Spare parts list

Item	Part Number	Description	Illustration
1	1 619 PB5 576	Housing	1
2	1 619 PB7 633	Stator	1
3	1 619 PB5 546	Armature	1
4	2 607 202 753	Switch	1
9	6 082 Y00 E4M	Label	1
23	1 619 PB7 621	Fan	1
24	1 619 PB7 622	groove ball bearing	1
26	1 619 PB5 551	Torx Oval-Head Screw	1
27	1 619 PB7 623	Vibration Foot	1
31	1 619 PB5 588	U-shaped clip	1
32	1 619 PB5 557	Compression Spring	1
33	1 619 PB5 558	Switch Button	1
34	1 619 PB5 559	Torx Oval-Head Screw	1
35	1 619 PB5 560	Sticker	1
36	1 619 PB5 582	Label	1
37	1 619 PB7 627	Housing	1
40	1 619 PB5 601	Speed governor	1
41	1 619 PB5 614	Contact retainer	1
49	1 619 PB7 632	Washer	1
50	1 619 PB7 630	Connector Bushing	1
51	1 619 PB7 631	Clip	1
651	1 619 PB5 597	Dust container	1
808	1 619 PB7 108	Nameplate	1
820	1 619 PB7 109	Nameplate	1
28	2 609 101 304	Plate 78X128	2
28/1	1 600 A02 9FP	Swing-Plate	2
28/2	2 609 101 303	Plate Delta	2
29	1 600 A00 P44	Foam Panel	2
29/1	1 600 A00 N2Y	Foam Panel 101x113	2
29/2	1 600 A00 P45	Foam Panel	2
30	1 619 PB5 555	Torx Oval-Head Screw	2
43	2 603 410 048	Thread-forming tap. Screw M4x8	2
44	1 600 A02 9KK	Clamp Handle	2
45	2 609 170 216	Felt 173mm	2
45/1	2 609 170 223	Felt 143mm	2

Spare parts list

Item	Part Number	Description	Illustration
653	1 619 PB7 067	Punching Tool	2